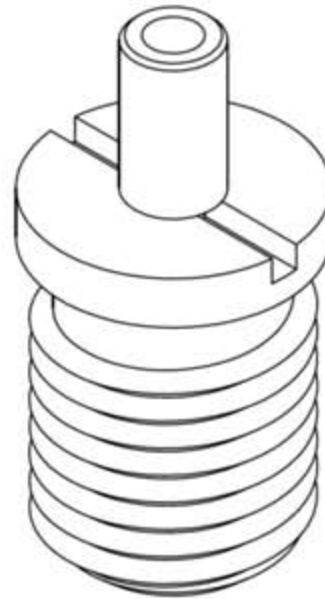
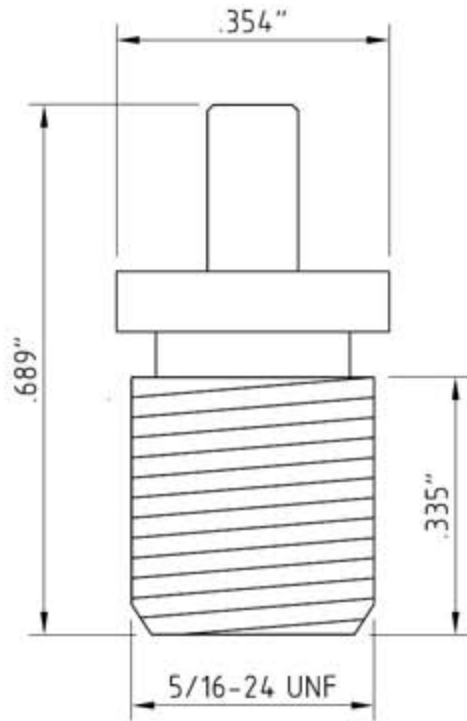


MICRO-GR

USE 3/64" (1.19 mm) CABLE



cable grippers inc.

5329 Cameron Street, Suite 104
 Las Vegas, NV 89118 / E-mail: sales@cablegrippers.com
 phone: 702.869.0755 / Fax: 702.543.2305
 Web: www.cablegrippers.com

All drawings and written materials appearing herein constitute original and unpublished work of Cable Grippers, Inc. and may not be duplicated or reproduced without their written consent.....Copyright Cable Grippers Inc.

DATE: 06/26/2009		PART DESCRIPTION: MICRO GRIPPER, 5/16-24, NO SAFETY NUT	
MATERIAL: NICKEL PLATED BRASS	SIZE: A	PART #: MICRO-GR	REV: 01
DIMENSIONS ARE IN INCHES		SCALE: N/A	SHEET 1 OF 1